

GRAIN PROCESSING EQUIPMENTS

# ANAMILLING



## REDRESSING CONTROL SIFTER MODEL: AGTS

Turbo kontrol eleği  
Bluterie de sûreté  
Cernedor de rapaso

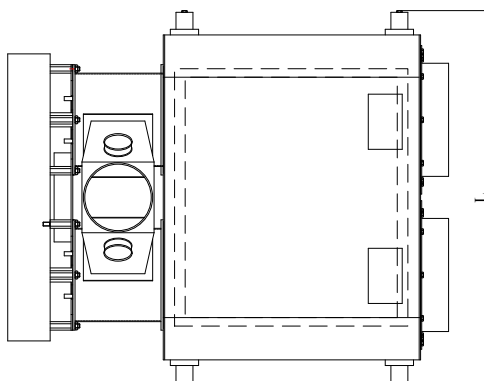
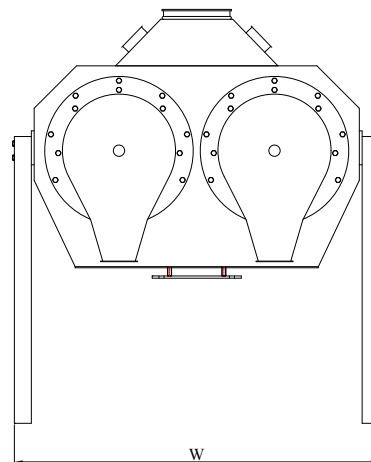
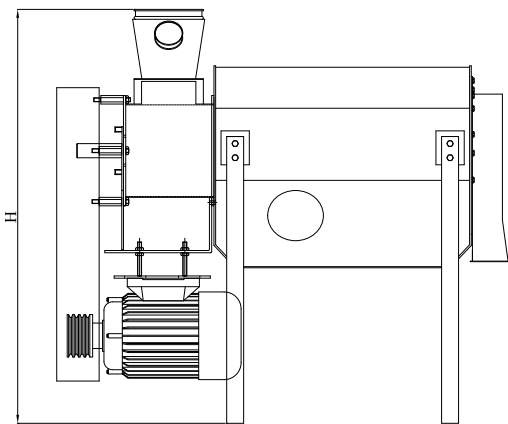
## REDRESSING CONTROL SIFTER - MODEL: AGTS



Redressing control sifters are used primarily for flour redressing prior packaging for the hygienic purposes. The material is conveyed into a cylindrical perforated sieve and then is thrown on the sieve wall with a high speed by means of angular blades.

La bluterie de sûreté est utilisée pour nettoyer le produit finis des particules étrangères possibles, avant les boisseaux sur ensacheuse et le vrac.

El cernedor de control de repaso. Se utiliza principalmente para la harina terminada antes del envasado, se la utiliza con fines de higiene. El material es transportado hacia un tamiz cilíndrico perforado y es enviado a través de la pared del tamiz mediante un sistema de palas angulares de alta velocidad.



MODEL		AGTS-S	AGTS-D
Capacity	(t/h)	10-25	25-45
Power	(kw)-rpm	5,5-600	11-600
Dimension (mm)	L	1700	1700
	W	750	1300
	H	1350	1350
Weight	(kg)	400	650

"The capacities for the machines and equipments shown in this catalogue are for flour having 550 kg/m<sup>3</sup> specific gravity and may vary depending on the specific gravity, humidity and foreign material contents of grain"