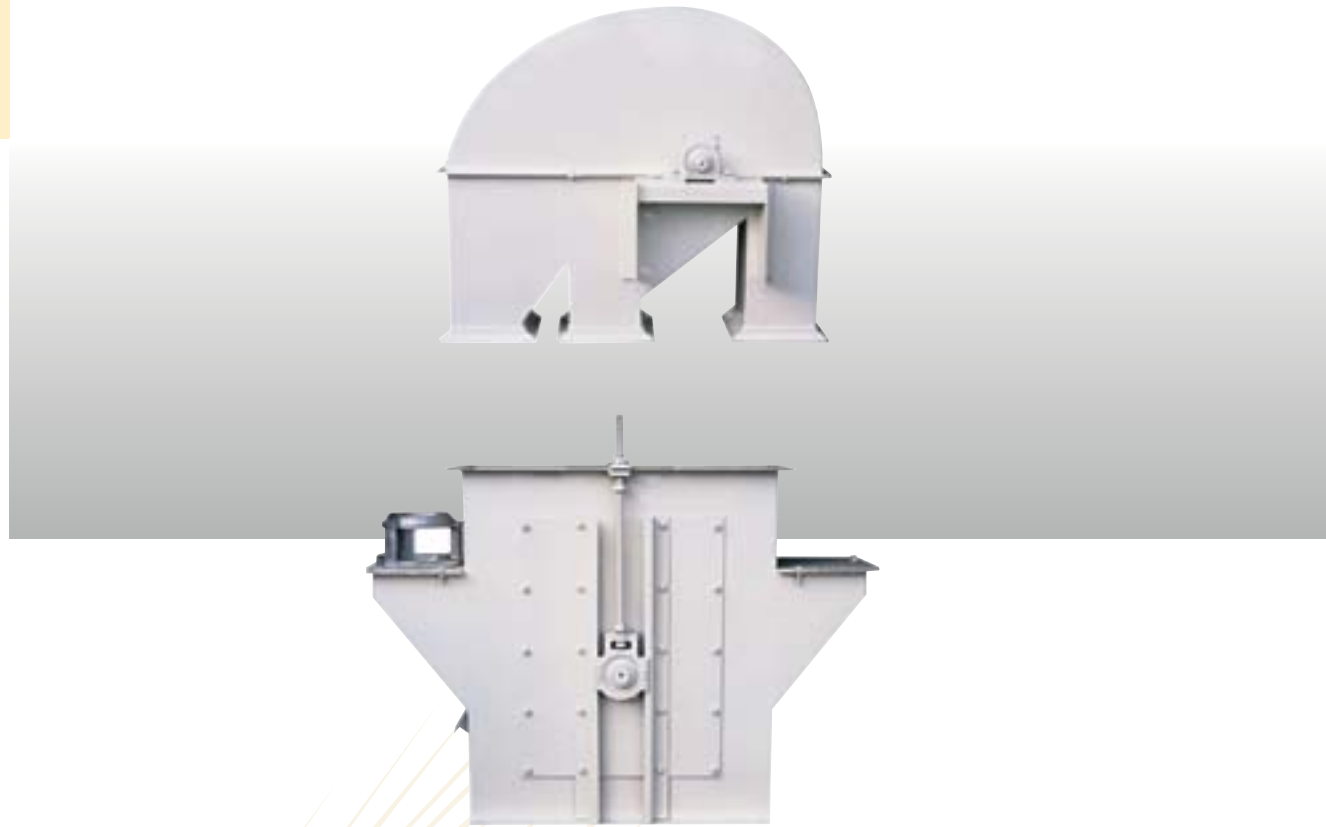


# ANAMILLING

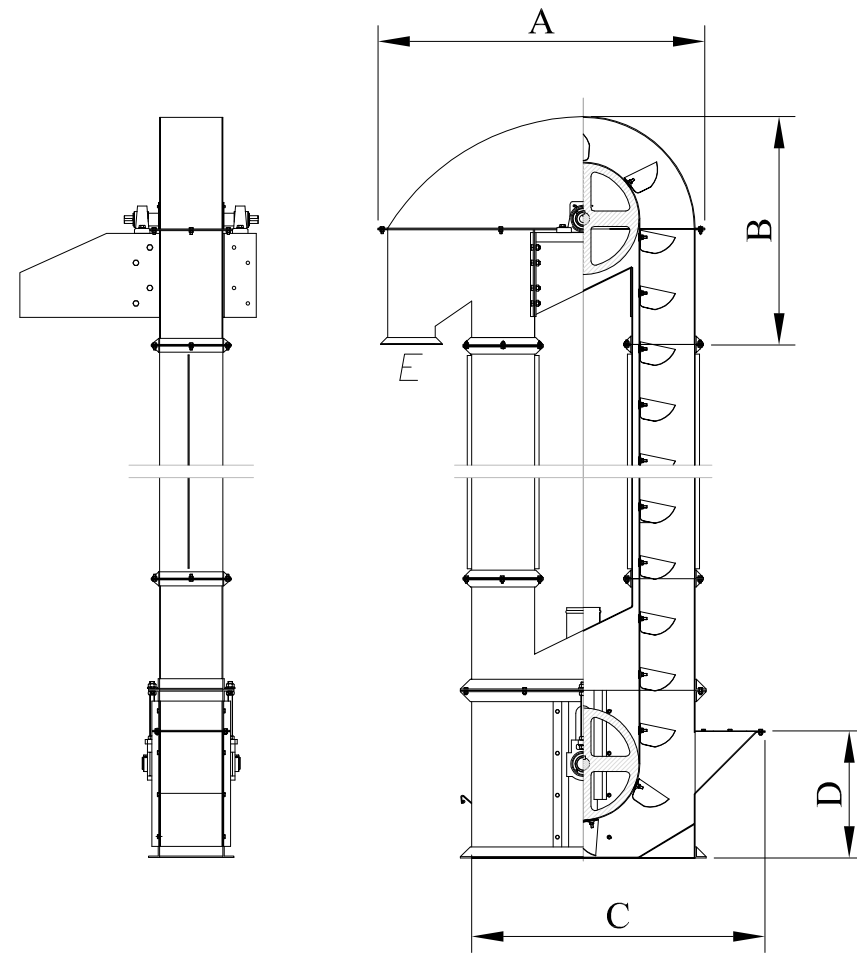


## BUCKET ELEVATOR MODEL: ATBE

Kovalı elevatör  
Elevateur a godets  
Elevador a cangilones



[www.anamilling.com](http://www.anamilling.com)



MODEL		ATBE 16x16	ATBE 22x22	ATBE 25x25	ATBE 28x30	ATBE 30x35	ATBE 35x40	ATBE 45x50
Capacity	(t/h)							
	Wheat	7.5	20	30	40	50	80	150
	Flour	3.5	12.5	21	28	35	45	80
Hoop	(mm)							
	Width	140	200	220	250	280	320	360
	∅	400	500	500	500	600	600	600
Bucket	(mm)							
	Width	100	140	160	200	240	280	320
Bucket Capacity	(kg)							
	Wheat	0.27	0.56	0.9	1.32	1.7	2.6	3.2
	Flour	0.17	0.35	0.6	0.84	1.3	1.8	2.6
Dimension	(mm)							
	A	915	1200	1250	1450	1660	1800	1900
	B	830	1000	1000	180	1125	1150	1150
	C	855	1080	1205	1290	1465	1635	1805
	D	610	860	860	950	950	1050	1050
	E	120x150	175x180	200x220	230x230	250x250	300x300	345x370
Belt Pulley Tour	(m/s)	2.5	2.5	2.5	2.5	2.4	2.4	2.4
Motor	(kw)	2.5	3	5.5	7.5	11	18	22

"The capacities for the machines and equipments shown in this catalogue are for wheat having 780 kg/m<sup>3</sup> specific gravity and may vary depending on the specific gravity, humidity and foreign material contents of grain"

# GRAIN HANDLING EQUIPMENTS

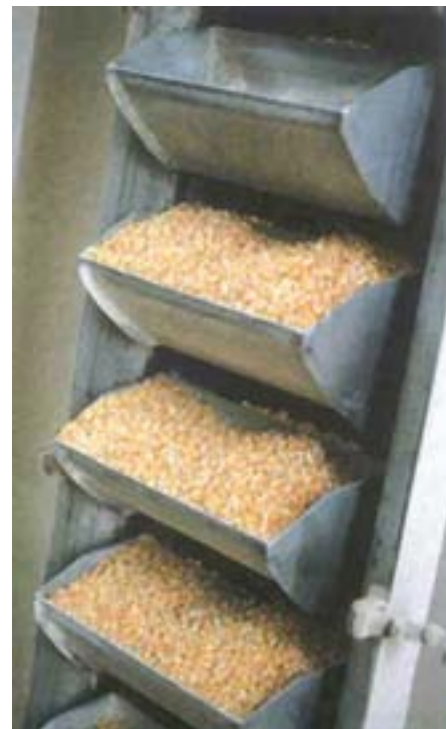
## BUCKET ELEVATOR - MODEL: ATBE

Kovalı elevatör  
Elevateur a godets  
Elevador a cangilones

Bucket elevators are used in flour and feed mills to transport grain, flour, semolina, feed, bran, etc. vertically by means of specially-shaped buckets attached to belts. The belts are fixed with plastic/metal buckets. The buckets are made of anti-static plastic or special profile metal.

Élévateurs à godets sont utilisés pour le transport de matériaux granulés et de poudre et des produits finis tels que les céréales, la farine, la semoule, le son, etc verticalement. Ils sont composés tête, la queue et de l'article conduit.

Los elevadores a cangilones son utilizados para transportar verticalmente materiales granulados y en polvo así como productos terminados tales como cereales, harina, semolina, salvado, etc. En las bandas se encuentran fijados cangilones de metal o plástico. Los cangilones están hechos de plástico anti-estática o de metal de perfil especial para el efecto.



Elevator capacity is determined by the size and number of buckets and the speed of the conveying belt. Thus, the bucket must be designed at a given speed around the top of pulley, centrifugal forces and gravity cause the material elevated to be thrown out of the bucket into discharge spout.

