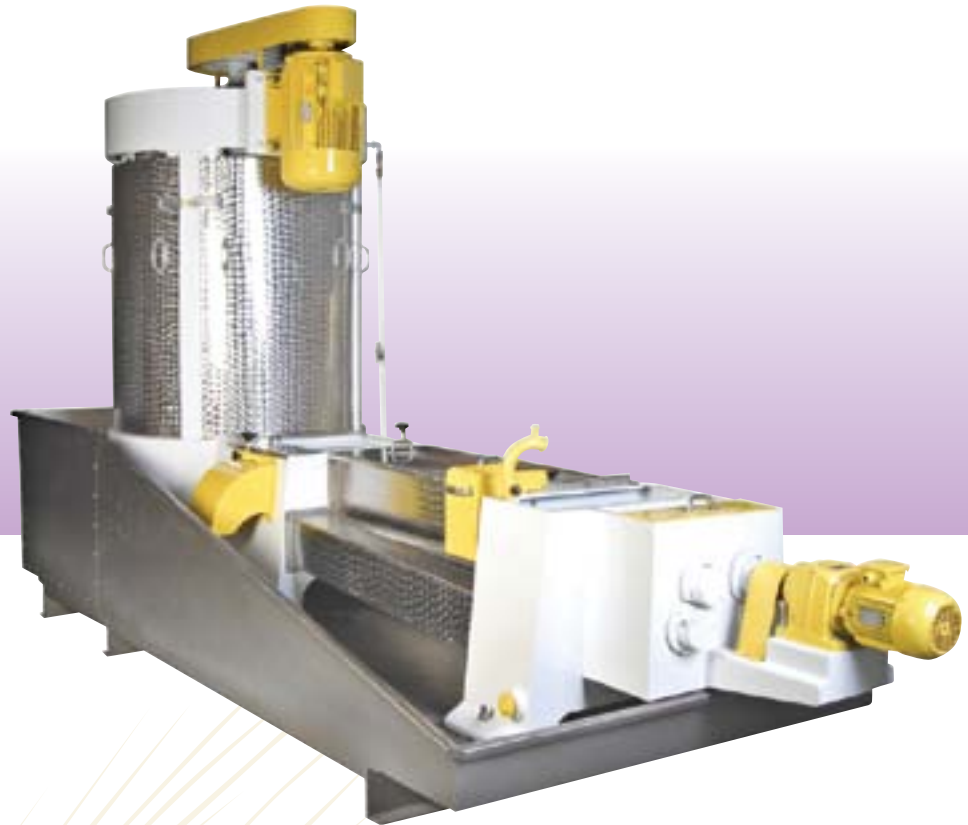


GRAIN CLEANING EQUIPMENTS

ANAMILLING



WHEAT WASHING MACHINE MODEL: ACWM

Yıkama kurutma makinesi
Machine à laver le blé
Lavadora de trigo

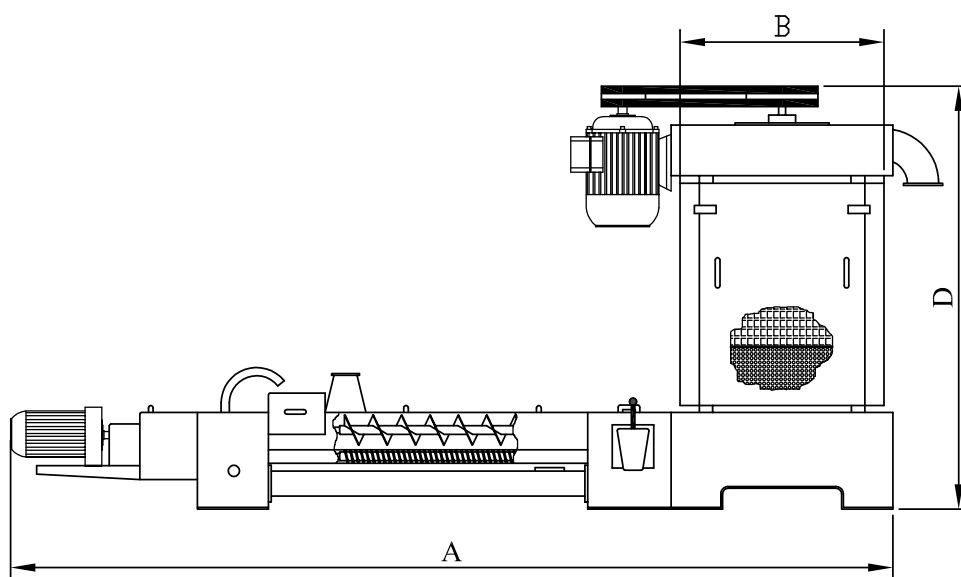
WHEAT WASHING MACHINE - MODEL: ACWM



Wheat washing machines are used for washing and cleaning of the dirty wheat in the flour mills by the aid of the water.

Machine à laver le blé est entièrement conçue pour laver les céréales (blés, maïs, etc.).

Máquinas de lavado de trigo se utilizan para el lavado y limpieza de la suciedad de trigo en los molinos de trigo con la ayuda del agua.



MODEL		ACWM-6		ACWM-8		ACWM-12	
Capacity	(t/h)	3	4	5	6	8	10
Motor	(kw)	7.5		11		15	
Motor reductor	(kW/rpm)	1.1/160		2.2/160		3/160	
Dimension (mm)	A	3570		4570		4800	
	B	900		1070		1300	
	D	1750		2300		2500	
Weight	(kg)	1800		2440		3100	

"The capacities for the machines and equipments shown in this catalogue are for wheat having 780 kg/m³ specific gravity and may vary depending on the specific gravity, humidity and foreign material contents of grain"