

PNEUMATIC CONVEYING AND ASPIRATION/FILTRATION EQUIPMENTS

ANAMILLING



BLOWTHROUGH AIR LOCK MODEL: ATBA

Eklüz
Écluse - T
Esclusa de admisión

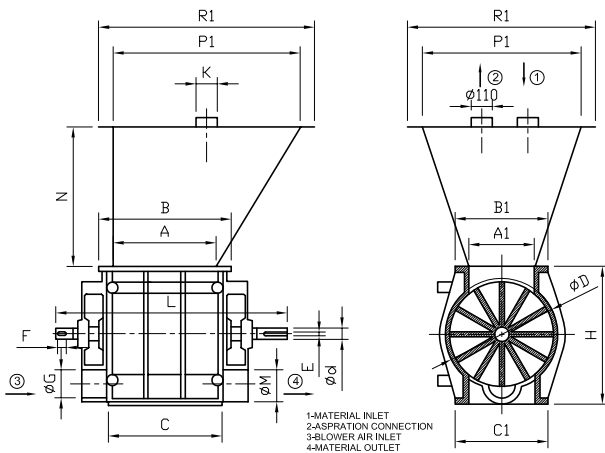
BLOWTHROUGH AIR LOCK- MODEL: ATBA



Blowthrough air locks are used in pneumatic transport systems. They are suitable for transferring powdered materials. The material enters from the top and exit from side flange and transferred to conveying pipe.

L'écluse-T est utilisée dans les systèmes de transports pneumatiques pour l'alimentation de la tuyauterie de transport de façon continue et étanche.

Las esclusas de admisión son utilizadas en los sistemas de transportes neumáticos. Son adecuados para transferir materiales en polvo. El material entra por la parte superior y sale de la brida de lado y se transfiere a la tubería de transporte



MODEL		200	250	320	400
Capacity	(t/h)	2.2	5.5	12.5	25
Dimension (mm)	AxA1	155x140	210x180	270x200	400x250
	BxB1	260x240	320x290	390x300	520x370
	CxC1	185x240	240x290	310x310	440x370
	ØD	200	250	320	400
	ExF	8x25	8x25	10x25	12x25
	ØG	50	70	100	120
	H	330	580	700	760
	ØM	50	70	100	120
	L	550	580	700	760
	Ød	28	28	40	42
	N	360	330	460	470
	ØK	120	120	120	150
	PxP1	390x345	475x390	550x450	680x500
RxR1	450x410	540x455	620x520	750x570	
Weight	(Kg)	85	122	199	247

The capacities for the machines and equipments shown in this catalogue are for wheat having 780 kg/m³ specific gravity and may vary depending on the specific gravity, humidity and foreign material contents of grain