

GRAIN HANDLING EQUIPMENTS

ANAMILLING



MECHANICAL BLENDING MACHINE MODEL: ATBM

Volümetrik paçal
Douser ponderal
Máquina de mezclado mecánica

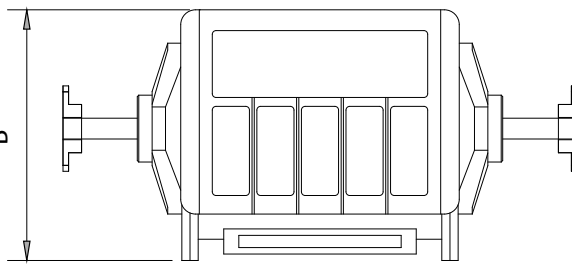
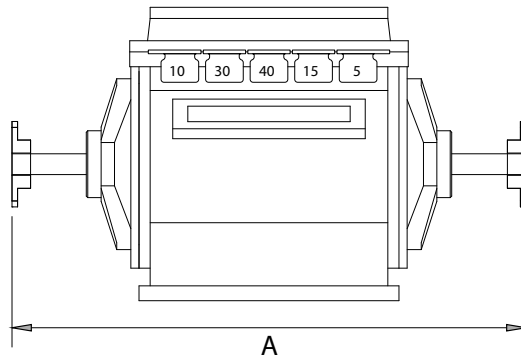
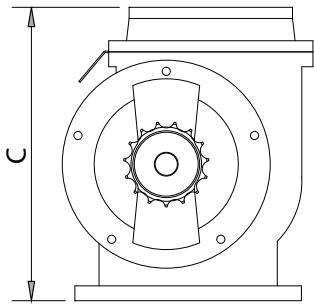
MECHANICAL BLENDING MACHINE - MODEL: ATBM



Blending machines are used to blend the different kind of wheat chosen according to the purpose of grinding process in the required percentages according to volume.

Le doseur est utilisé dans le coupage de différentes de blé stock, au moyen de dosage volumétrique.

Máquinas de dosificación utilizadas para mezclar diferentes clases de trigo escogidos de acuerdo al proceso de molienda y al producto que se desea obtener



MODEL	ATBM-L	ATBM-P	
Dimension (mm)	A	545	665
	B	320	330
	C	365	390
Weight	kg	80	130

	MODEL				%
	ATBM-L Capacity (kg/h)		ATBM-P Capacity (kg/h)		
Gate	40 $\frac{d/d}{rpm}$ kg	50 $\frac{d/d}{rpm}$ kg	40 $\frac{d/d}{rpm}$ kg	50 $\frac{d/d}{rpm}$ kg	
1	204	255	600	750	5
2	408	510	1200	1500	10
3	816	1020	2400	3000	20
4	816	1020	2400	3000	20
5	1728	1020	5400	6750	45
Total kg	3972	4960	12000	13000	100

"The capacities for the machines and equipments shown in this catalogue are for wheat having 780 kg/m³ specific gravity and may vary depending on the specific gravity, humidity and foreign material contents of grain"