

# ANAMILLING

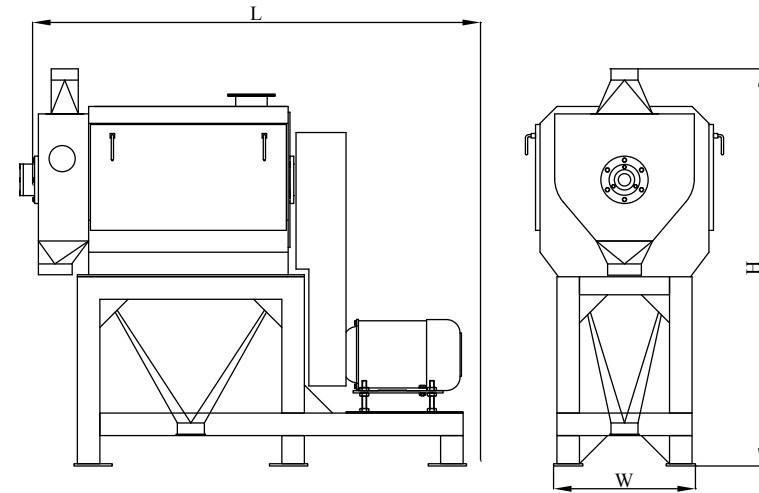


## HORIZONTAL SCOURER MODEL: ACHS and AKS

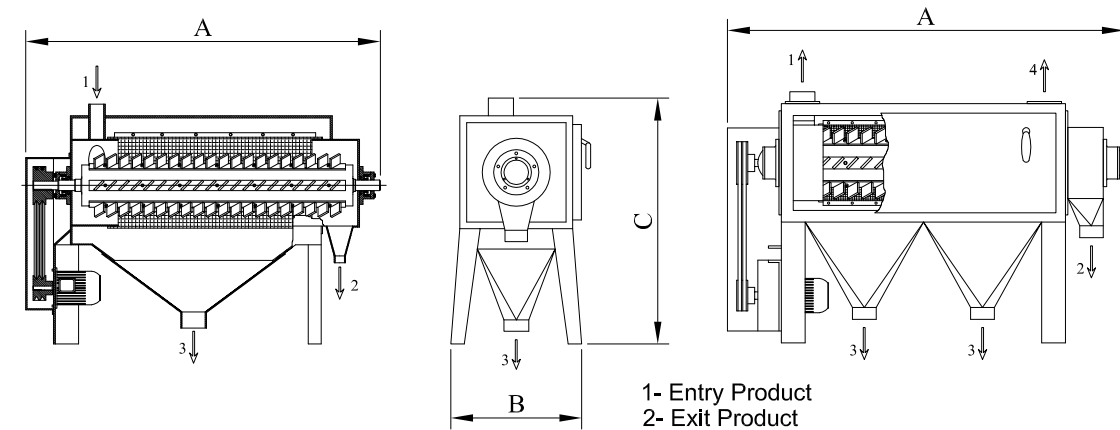
Yatay kabuk soyucu  
Épointeuse  
Despuntadora horizontal



[www.anamilling.com](http://www.anamilling.com)



MODEL		ACHS-30/60	ACHS-40/80	ACHS-40/80
Capacity	(t/h)	8-10	12-15	20
Motor	(kw)	11	15	18.5
Air	(m <sup>3</sup> /min)	50	70	70
Dimension (mm)	L	1730	2010	2010
	W	590	790	790
	H	1625	1765	1765
Weight	(kg)	750	1050	1050



MODEL		AKS-120	AKS-150
Capacity	(t/h)	4-6	6-8
Motor	(kw)	8	15
Air	(m <sup>3</sup> /min)	10	10
Dimension (mm)	A	1000	1500
	B	500	800
	C	1010	1330
Weight	(kg)	200	250

\*The capacities for the machines and equipments shown in this catalogue are for wheat having 780 kg/m<sup>3</sup> specific gravity and may vary depending on the specific gravity, humidity and foreign material contents of grain\*

# GRAIN CLEANING EQUIPMENTS

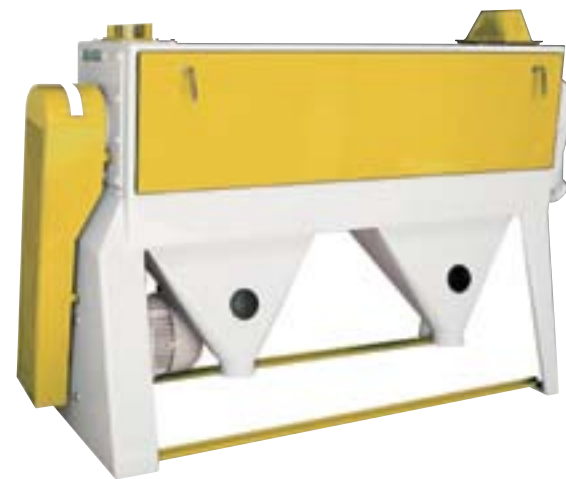
## HORIZONTAL SCOURER - MODEL: ACHS and AKS

Yatay kabuk soyucu  
Épointeuse  
Despuntadora horizontal

Horizontal scourers are used to scour the grain and separate it from dust, soil particles and foreign materials by an impact during operation by a mesh screen.



MODEL: ACHS



MODEL: AKS



Épointeuse sont utilisées pour nettoyer le grain de poussière, de séparer les particules du sol, de matières étrangères à partir de céréales par un choc pendant le fonctionnement d'un manchon de bonneterie.

Las Despuntadoras horizontales se utilizan para limpiar el grano del polvo, separando las partículas de tierra, materiales extraños mediante el impacto del grano contra una manga tejida metálica especial para el efecto.

